

**MVK-MPNIO F DI16/8 7/8" IRT**

MVK ProfiNet/PROFIsafe Compact module, metal,

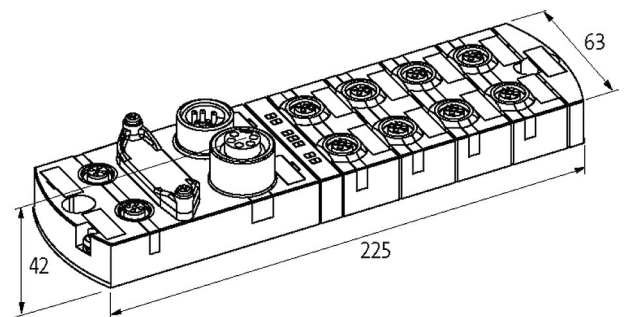
safe inputs up to cat.4/PLe (EN ISO 13849-1), up to SIL3 (IEC 61508), up to SILCL3 (IEC 62061)

FDI16/8 (IRT)

Ethernet 10/100 Mbit/s; M12, D-coded

7/8", 5-pole, 2× max. 9 A

M12, 5-pole, A-coded

**Illustration**

Product may differ from Image

**Approvals****More Info****Connections**

|                               |                                      |
|-------------------------------|--------------------------------------|
| Fieldbus                      | Ethernet 10/100 Mbit/s; M12, D-coded |
| Sensor-system/actuator supply | 7/8", 5-pole, 2× max. 9 A            |
| I/O ports                     | M12, 5-pole, A-coded                 |

**General data**

|                   |   |
|-------------------|---|
| Protection        | IP67  |
| Mounting method   | 2-hole screw mounting                           |
| Temperature range | -20...+55 °C (storage temperature -40...+70 °C) |
| Dimensions H×W×D  | 44×63×225 mm                                    |

**Safety Indicators**

|              |          |
|--------------|----------|
| PL           | up to e  |
| Category     | up to 4  |
| PFH          | 1.70E-9  |
| DC           | 98%      |
| SIL          | up to 3  |
| SIL CL       | up to 3  |
| Service life | 20 years |

**PROFINET**

|                     |                                 |
|---------------------|---------------------------------|
| Shared Device/Input | yes, for 2 controls             |
| Specification       | V2.2, Conformance Class C (IRT) |
| MRP                 | yes                             |
| Addressing          | DCP                             |

**Safe input**

|                  |  |
|------------------|--|
| Sensor supply US | 24 V DC (EN 61131-2), max. 200 mA (PIN 1+5), short-circuit and overload protected, or max. 700 mA for only one PIN |
| Type             | for electrical sensors or mechanical switches  |

**Diagnostic**

|                            |                             |
|----------------------------|-----------------------------|
| Communication status       | via LED                     |
| Diagnostic via LED         | per module and channel      |
| Diagnostic via BUS         | per module and channel      |
| Monitoring - under voltage | yes                         |
| Monitoring - no voltage    | yes                         |
| Short-circuit and overload | yes                         |
| Actuator warning           | per channel via LED and BUS |
| Cross-link detection       | Sensor/Actuator             |
| Wire break detection       | yes                         |

**Commercial data**

|                       |               |
|-----------------------|---------------|
| country of origin     | DE            |
| customs tariff number | 85389099      |
| EAN                   | 4048879570756 |
| eClass                | 27242604      |
| Packaging unit        | 1             |